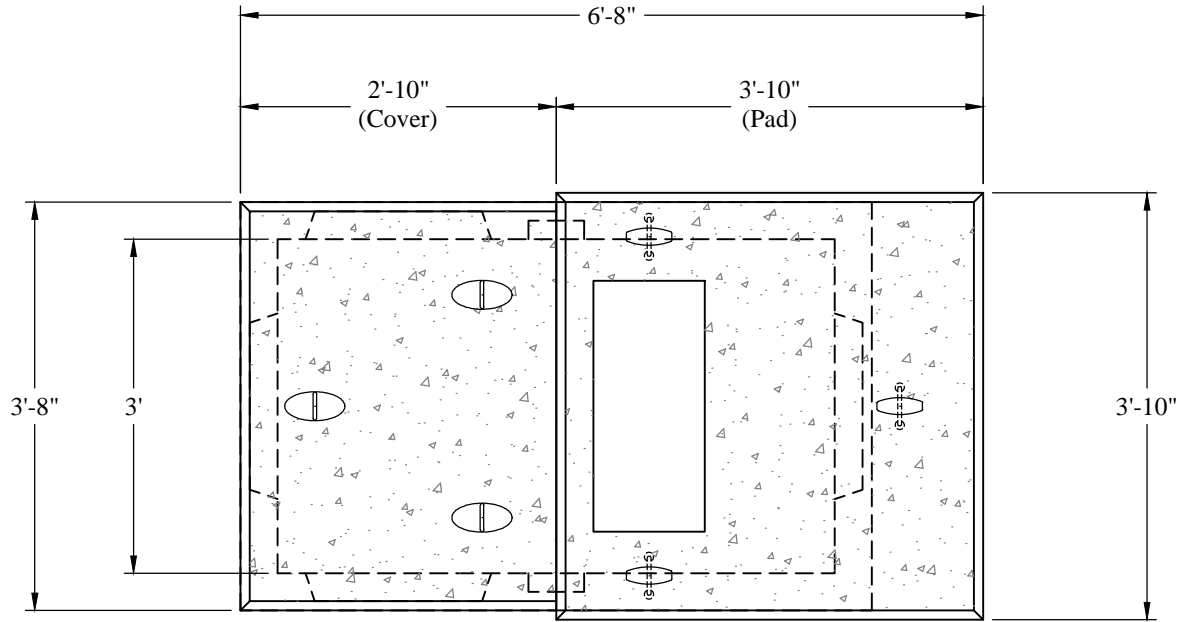


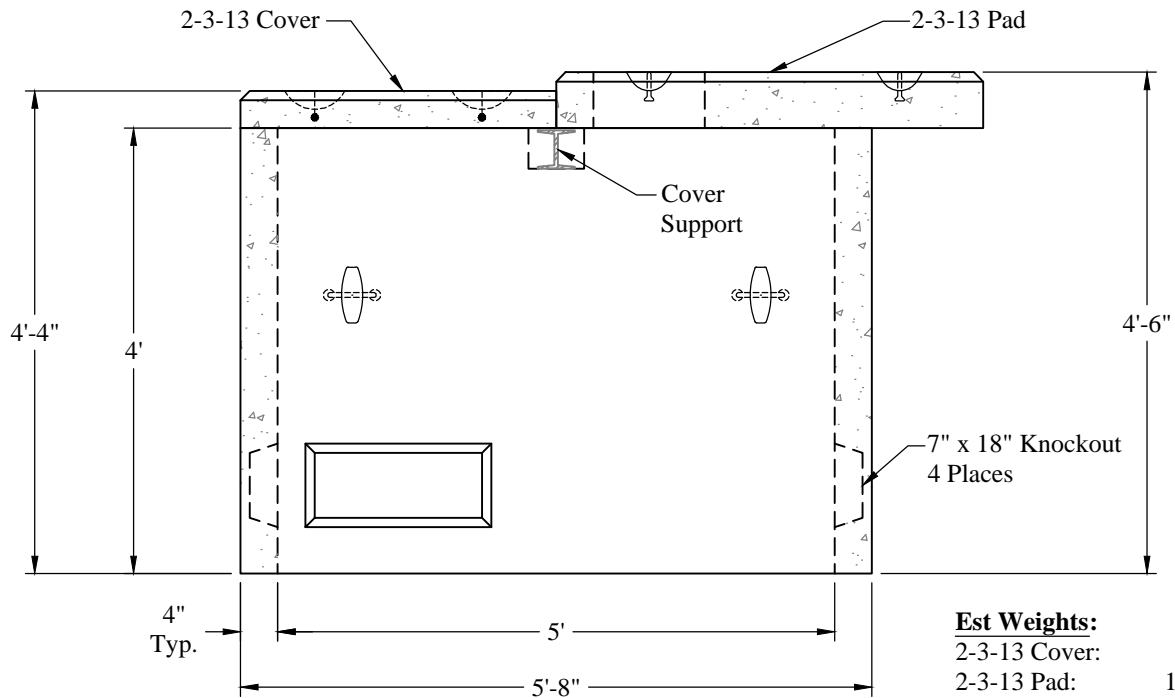
1-800-639-2199

Fax (603) 224-2927

Electrical\Unitil\2-3-13_Assembly_Sales_Rev3



Phoenix Precast Products



Est Weights:	
2-3-13 Cover:	550 Lbs
2-3-13 Pad:	1,000 Lbs
Vault:	3,450 Lbs
Total:	5,000 Lbs

Phoenix Precast Products

General Notes

1. Concrete: $f_c = 5,000$ psi @ 28 Days Minimum
2. Reinforcement Steel Conforms to:
ASTM A615 Grade 60 Black Deformed Bars

Phoenix
Precast
Products

Unitil 2-3-13
Assembly

P/N: UEH-2313

77 Regional Drive

Concord, NH 03301